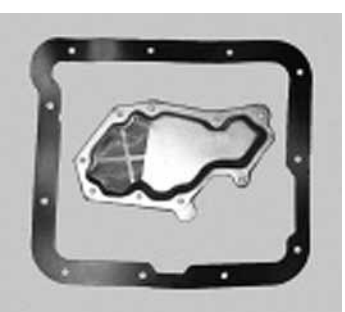
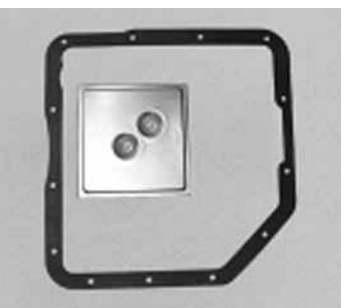


11 • Transmission Filters



Introduction	11-3
TF15000 – TF15002	11-4
TF15003, TF15005 – TF15006	11-5
TF15007 – TF15009	11-6
TF15010 – TF15012	11-7
TF15013 – TF15015	11-8
TF15016 – TF15018	11-9
TF15019 – TF15021	11-10
TF15022 – TF15024	11-11
TF15025 – TF15027	11-12
TF15028 – TF15030	11-13
TF15031 – TF15033	11-14
TF15034 – TF15036	11-15
TF15037 – TF15039	11-16
TF15040 – TF15042	11-17
TF15043 – TF15045	11-18
TF15046 – TF15048	11-19
TF15049 – TF15051	11-20
TF15052 – TF15054	11-21
TF15055 – TF15057	11-22
TF15058 – TF15060	11-23
TF15061 – TF15063	11-24
TF15064 – TF15066	11-25
TF15067 – TF15069	11-26
TF15070 – TF15072	11-27
TF15073 – TF15075	11-28

Fleetguard® Transmission Filters

Optimal performance of automatic transmission systems depends on excellent quality filtration. As the technological leader, Cummins Filtration® offers a complete line of Fleetguard transmission filtration products and fluid analysis programs as part of your regular transmission maintenance program.

Fleetguard transmission filters are designed and tested in *real world* operating environments to perform with maximum reliability and provide these comparative benefits:

- Higher filtration efficiency
- Exceptional flow without filter plugging
- Superior structural integrity under fluid system pressure
- Longer filter life
- Guaranteed performance which meets or exceeds OEM specifications

Because transmission fluid cools, lubricates and transmits hydraulic power, it is critical to maintain adequate fluid levels in your system at all times. When the fluid level is too low, the converter, bushings, bearings and clutches do not receive an adequate supply of fluid. If fluid levels are too high, they can aerate and cause your transmission to shift erratically or overheat.

For maximum performance and protection, transmission fluid and filters should be changed according to engine manufacturer recommendations. Harsh environments, severe operation or extreme duty cycles may require more frequent change intervals. Transmission system protection is optimized with the Fleetguard Monitor™ oil, transmission and hydraulic fluid analysis testing kits, which provide results within 24 hours and allow transmission system troubleshooting before problems arise. Periodic inspections of drive shaft components, electrical charging system, transmission oil coolers and engine cooling systems should also be performed to identify potential problems and protect against transmission malfunction.

With the broadest range of OE replacement parts for Allison®, GM®, Ford®, Chrysler®, Magnefine®, Mitsubishi®, Nissan®, and Toyota® transmissions, Fleetguard transmission filtration technology leads the market with expert engineering, real world performance, and the most dependable service in the industry.

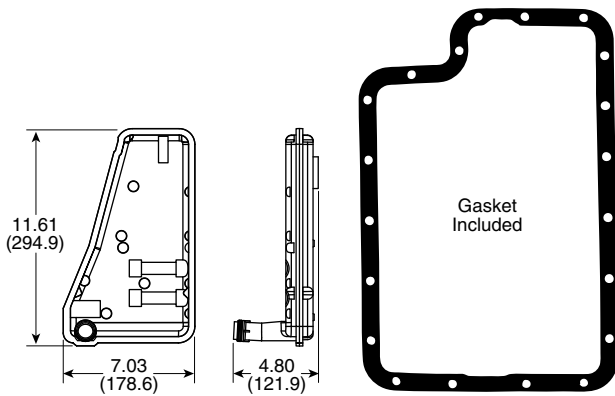
Section Notes

Notes:

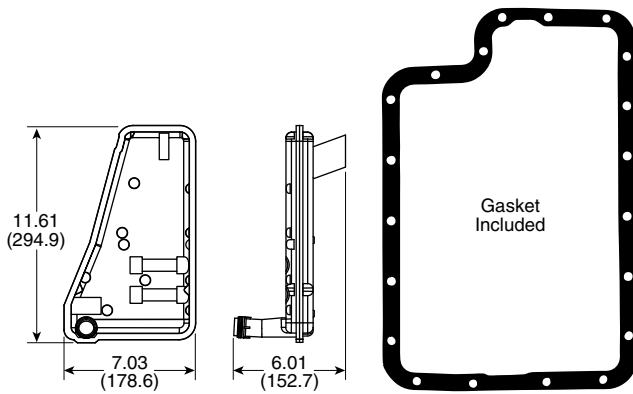
Restriction is the pressure in the filter at a total flow rate of 7.0 gal/min (26.5 L/min).
All filters meet or exceed the OEM specifications for their respective application.
All dimensions are in inches (millimeters).

Media Type Key:

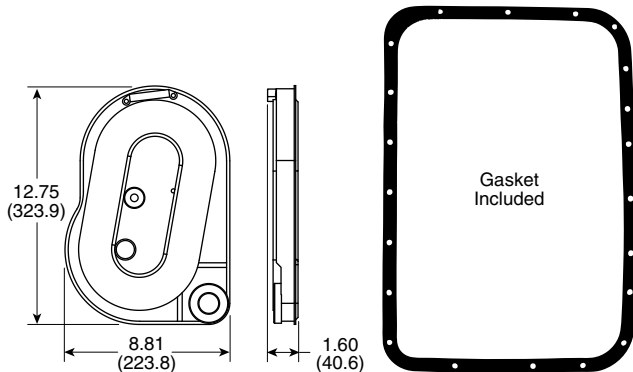
PAPER	Paper based media with phenolic resin
BRASS	Brass screen
STAINLESS	Stainless steel screen
GALVANIZED	Galvanized screen
POLYESTER	Polyester screen cloth
FELT	Phenolic Saturated felt



Part Number	TF15000
OE Part Number	E9TZ-7A098A
Transmission	FORD E40D 2WD
Specification	RWD/4SPD
Model Year	1989+
Configuration	20 Bolt Pan
Media Type	FELT
Flow Restriction	2.4 in Hg (8.1 kPa)
Micron Rating	60



Part Number	TF15001
OE Part Number	E9TZ-7A098B
Transmission	FORD E40D 4WD
Specification	RWD/4SPD
Model Year	1989+
Configuration	20 Bolt Pan
Media Type	FELT
Flow Restriction	2.4 in Hg (8.1 kPa)
Micron Rating	60

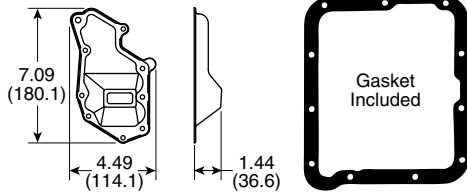


Part Number	TF15002
OE Part Number	6886044, W/O TUBE
Transmission	ALLISON MT-640, 650
Specification	RWD HD
Model Year	1972+
Configuration	21 Bolt Pan
Media Type	FELT
Flow Restriction	3.0 in Hg (10.2 kPa)
Micron Rating	60

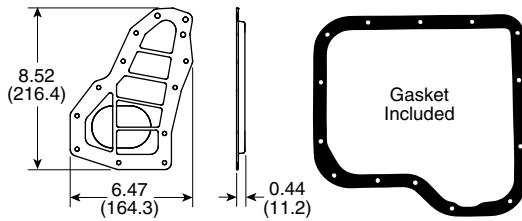
Note: All dimensions are in inches (millimeters).

FILTER EFFICIENCY

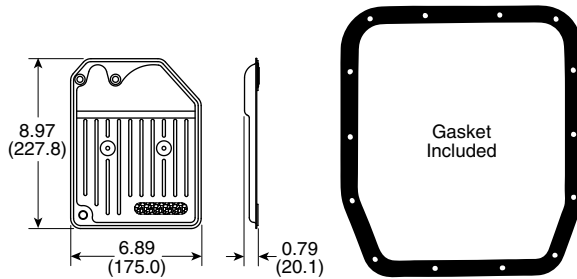
- Paper Media: 140 Microns @ 50% efficiency @ 0.12 gal/min (0.45 L/min) per ISO 16889.
- Wire Screen: Micron Rating is @ 98.7% efficiency.
- Polyester Media: 140 Microns @ 98.7% efficiency.
- Felt Media: Micron Rating is @ 50% efficiency @ 0.12 gal/min (0.45 L/min) per ISO 16889.



Part Number	TF15003
OE Part Number	D4FZ-7A098A
Transmission	FORD C-4 PINTO MUSTANG
Specification	RWD/3SPD
Model Year	1974-1981
Configuration	11 Bolt Pan
Media Type	BRASS
Flow Restriction	N/A (Screen Filter)
Micron Rating	118/205



Part Number	TF15005
OE Part Number	D3TZ-7A098A
Transmission	FORD JATCO 3N71B
Specification	RWD/3SPD
Model Year	1971-1987
Configuration	14 Bolt Pan
Media Type	STAINLESS
Flow Restriction	N/A (Screen Filter)
Micron Rating	190



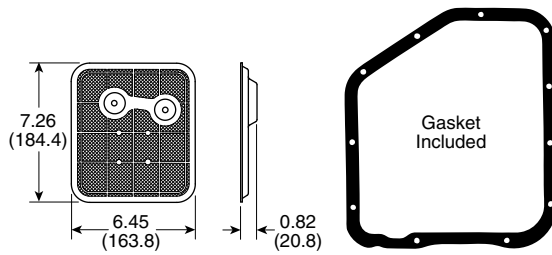
Part Number	TF15006
OE Part Number	E0AZ-7A098A
Transmission	FORD AOD
Specification	RWD/4SPD
Model Year	1980+
Configuration	14 Bolt Pan
Media Type	FELT
Flow Restriction	7.2 in Hg (24.4 kPa)
Micron Rating	60

Note: All dimensions are in inches (millimeters).

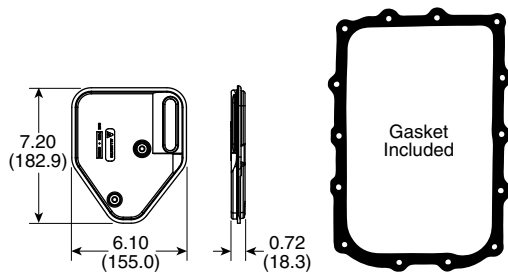
FILTER EFFICIENCY

- Paper Media: 140 Microns @ 50% efficiency @ 0.12 gal/min (0.45 L/min) per ISO 16889.
- Wire Screen: Micron Rating is @ 98.7% efficiency.
- Polyester Media: 140 Microns @ 98.7% efficiency.
- Felt Media: Micron Rating is @ 50% efficiency @ 0.12 gal/min (0.45 L/min) per ISO 16889.

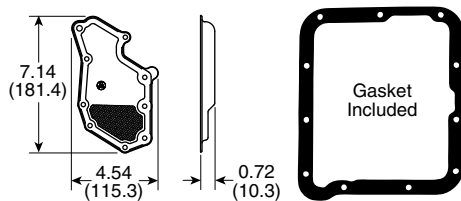




Part Number	TF15007
OE Part Number	8630789
Transmission	GM TH-200C, DEEP PAN
Specification	RWD/3SPD
Model Year	1976-1979
Configuration	11 Bolt Pan
Media Type	FELT
Flow Restriction	3.9 in Hg (13.2 kPa)
Micron Rating	130



Part Number	TF15008
OE Part Number	4269649
Transmission	CHRYSLER A404
Specification	FWD/3SPD
Model Year	1983+
Configuration	14 Bolt Pan
Media Type	FELT
Flow Restriction	6.0 in Hg (20.3 kPa)
Micron Rating	60

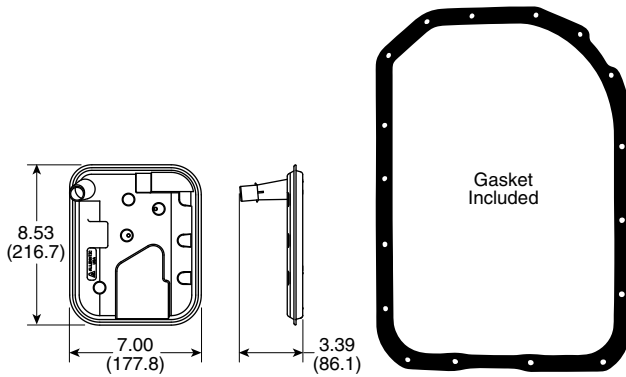


Part Number	TF15009
OE Part Number	D0DZ-7A098B
Transmission	FORD C-4
Specification	RWD/3SPD
Model Year	1970-1981
Configuration	11 Bolt Pan
Media Type	BRASS
Flow Restriction	N/A (Screen Filter)
Micron Rating	118/205

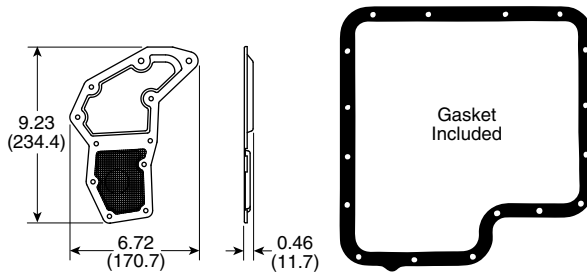
Note: All dimensions are in inches (millimeters).

FILTER EFFICIENCY

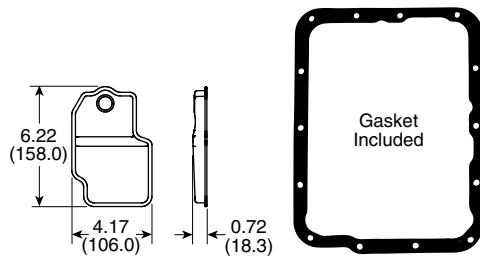
- Paper Media: 140 Microns @ 50% efficiency @ 0.12 gal/min (0.45 L/min) per ISO 16889.
- Wire Screen: Micron Rating is @ 98.7% efficiency.
- Polyester Media: 140 Microns @ 98.7% efficiency.
- Felt Media: Micron Rating is @ 50% efficiency @ 0.12 gal/min (0.45 L/min) per ISO 16889.



Part Number	TF15010
OE Part Number	8675545
Transmission	GM 4L80E (TH 400-R2) WITH GASKET
Specification	RWD/4SPD
Model Year	1991-1996
Configuration	17 Bolt Pan
Media Type	FELT
Flow Restriction	3.6 in Hg (12.2 kPa)
Micron Rating	60



Part Number	TF15011
OE Part Number	C6AZ-7A098A
Transmission	FORD C-6
Specification	RWD/3SPD
Model Year	1966-1975
Configuration	17 Bolt Pan
Media Type	STAINLESS
Flow Restriction	N/A (Screen Filter)
Micron Rating	190



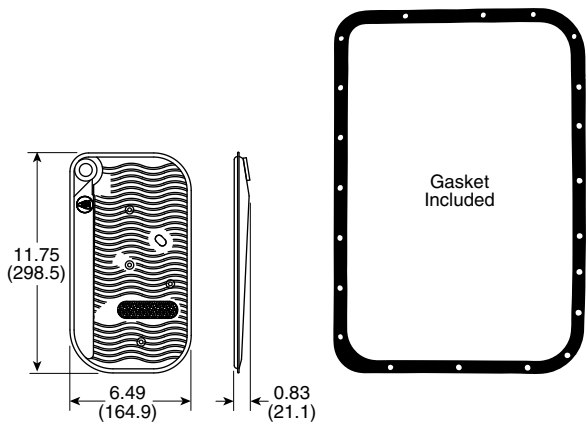
Part Number	TF15012
OE Part Number	D0AZ-7A098A
Transmission	FORD FMX (BRASS)
Specification	RWD/3SPD
Model Year	1968-1981
Configuration	14 Bolt Pan
Media Type	BRASS
Flow Restriction	N/A (Screen Filter)
Micron Rating	180/205

Note: All dimensions are in inches (millimeters).

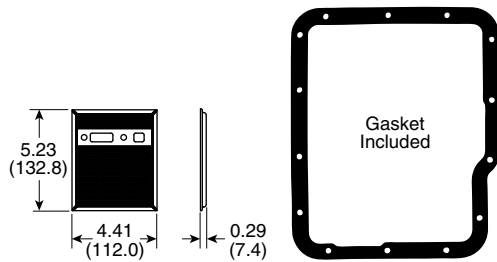
FILTER EFFICIENCY

- Paper Media: 140 Microns @ 50% efficiency @ 0.12 gal/min (0.45 L/min) per ISO 16889.
- Wire Screen: Micron Rating is @ 98.7% efficiency.
- Polyester Media: 140 Microns @ 98.7% efficiency.
- Felt Media: Micron Rating is @ 50% efficiency @ 0.12 gal/min (0.45 L/min) per ISO 16889.

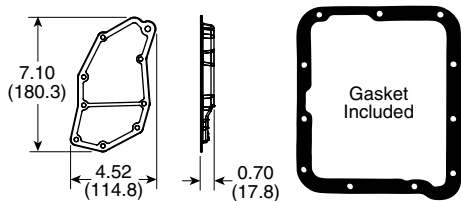




Part Number	TF15013
OE Part Number	6437741
Transmission	GM TH-400
Specification	RWD/3SPD
Model Year	1967+
Configuration	13 Bolt Pan
Media Type	FELT
Flow Restriction	5.9 in Hg (20.0 kPa)
Micron Rating	140



Part Number	TF15014
OE Part Number	3849968
Transmission	GM P. GLIDE
Specification	RWD/2SPD
Model Year	1962-1973
Configuration	14 Bolt Pan
Media Type	BRASS
Flow Restriction	N/A (Screen Filter)
Micron Rating	117/140

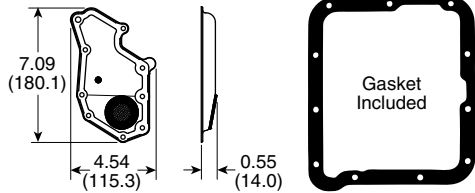


Part Number	TF15015
OE Part Number	C5AZ-7A098C
Transmission	FORD C-4
Specification	RWD/3SPD
Model Year	1965-1970
Configuration	11 Bolt Pan
Media Type	BRASS
Flow Restriction	N/A (Screen Filter)
Micron Rating	118/205

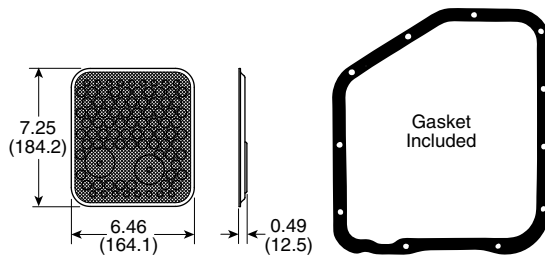
Note: All dimensions are in inches (millimeters).

FILTER EFFICIENCY

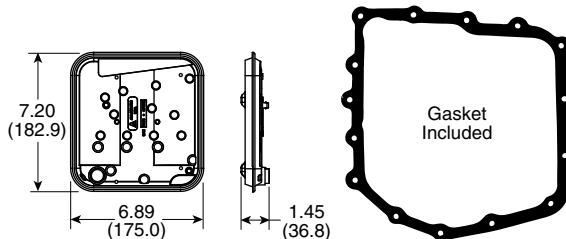
- Paper Media: 140 Microns @ 50% efficiency @ 0.12 gal/min (0.45 L/min) per ISO 16889.
- Wire Screen: Micron Rating is @ 98.7% efficiency.
- Polyester Media: 140 Microns @ 98.7% efficiency.
- Felt Media: Micron Rating is @ 50% efficiency @ 0.12 gal/min (0.45 L/min) per ISO 16889.



Part Number	TF15016
OE Part Number	D3BZ-7A098A
Transmission	FORD C-4 BRONCO
Specification	RWD/3SPD
Model Year	1973-1977
Configuration	11 Bolt Pan
Media Type	BRASS
Flow Restriction	N/A (Screen Filter)
Micron Rating	118/205



Part Number	TF15017
OE Part Number	8628299
Transmission	GM TH 200
Specification	RWD/3SPD
Model Year	1976-1979
Configuration	11 Bolt Pan
Media Type	BRASS
Flow Restriction	N/A (Screen Filter)
Micron Rating	117/140



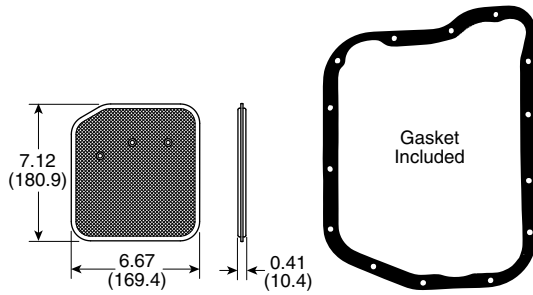
Part Number	TF15018
OE Part Number	4504048
Transmission	CHRYSLER A-604 4 SPEED FWD
Specification	FWD/4SPD
Model Year	1987+
Configuration	14 Bolt Pan
Media Type	FELT
Flow Restriction	5.0 in Hg (16.9 kPa)
Micron Rating	60

Note: All dimensions are in inches (millimeters).

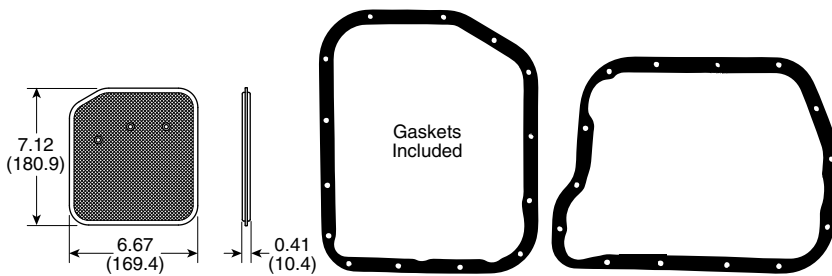
FILTER EFFICIENCY

- Paper Media: 140 Microns @ 50% efficiency @ 0.12 gal/min (0.45 L/min) per ISO 16889.
- Wire Screen: Micron Rating is @ 98.7% efficiency.
- Polyester Media: 140 Microns @ 98.7% efficiency.
- Felt Media: Micron Rating is @ 50% efficiency @ 0.12 gal/min (0.45 L/min) per ISO 16889.

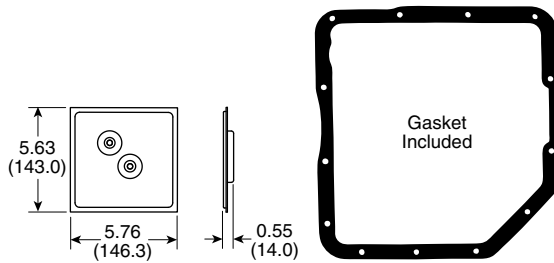




Part Number	TF15019
OE Part Number	3515996
Transmission	CHRYSLER T/F, LARGE (FELT)
Specification	RWD/3SPD
Model Year	1967+
Configuration	14 Bolt Pan
Media Type	FELT
Flow Restriction	9.4 in Hg (31.8 kPa)
Micron Rating	60



Part Number	TF15020
OE Part Number	8123042
Transmission	CHRYSLER T/F LARGE (FELT)
Specification	RWD/3SPD
Model Year	1967+
Configuration	14 Bolt Pan
Media Type	FELT
Flow Restriction	N/A (Screen Filter)
Micron Rating	60

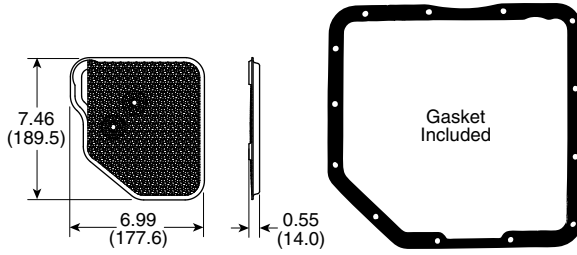


Part Number	TF15021
OE Part Number	8640848
Transmission	GM TH-350 (NYLON/METAL)
Specification	RWD/3SPD
Model Year	1969-1986
Configuration	13 Bolt Pan
Media Type	POLYESTER
Flow Restriction	N/A (Screen Filter)
Micron Rating	130

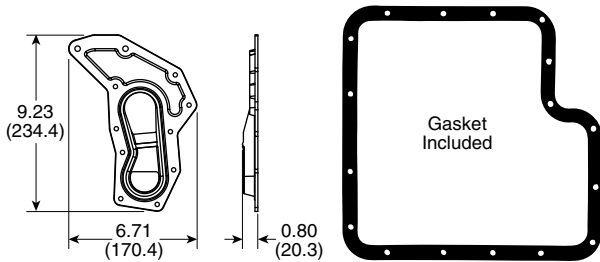
Note: All dimensions are in inches (millimeters).

FILTER EFFICIENCY

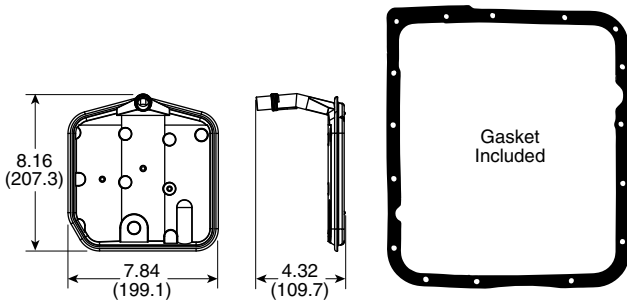
- Paper Media: 140 Microns @ 50% efficiency @ 0.12 gal/min (0.45 L/min) per ISO 16889.
- Wire Screen: Micron Rating is @ 98.7% efficiency.
- Polyester Media: 140 Microns @ 98.7% efficiency.
- Felt Media: Micron Rating is @ 50% efficiency @ 0.12 gal/min (0.45 L/min) per ISO 16889.



Part Number	TF15022
OE Part Number	8641443
Transmission	GM TH-350 (FELT)
Specification	RWD/3SPD
Model Year	1969-1980
Configuration	13 Bolt Pan
Media Type	FELT
Flow Restriction	N/A (Screen Filter)
Micron Rating	60



Part Number	TF15023
OE Part Number	D5AZ-7A098A
Transmission	FORD C-6
Specification	RWD/3SPD
Model Year	1975+
Configuration	17 Bolt Pan
Media Type	STAINLESS
Flow Restriction	N/A (Screen Filter)
Micron Rating	190



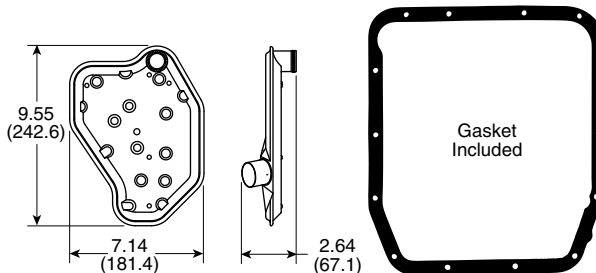
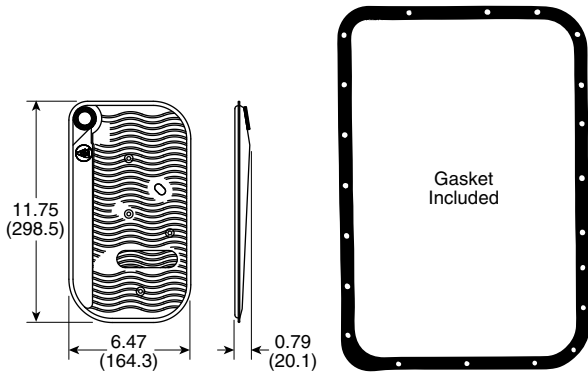
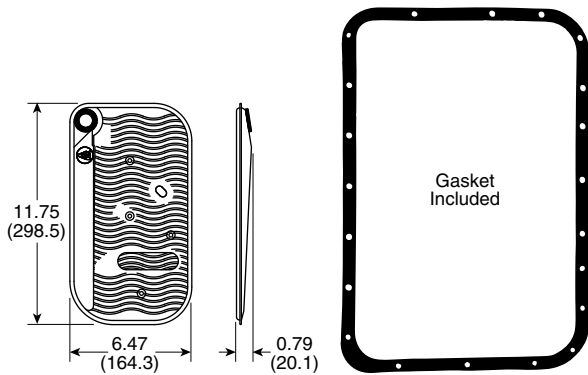
Part Number	TF15024
OE Part Number	8657926
Transmission	GM TH-700-R4
Specification	RWD/4SPD
Model Year	1994
Configuration	16 Bolt Pan
Media Type	FELT
Flow Restriction	4.6 in Hg (15.6 kPa)
Micron Rating	60

Note: All dimensions are in inches (millimeters).

FILTER EFFICIENCY

- Paper Media: 140 Microns @ 50% efficiency @ 0.12 gal/min (0.45 L/min) per ISO 16889.
- Wire Screen: Micron Rating is @ 98.7% efficiency.
- Polyester Media: 140 Microns @ 98.7% efficiency.
- Felt Media: Micron Rating is @ 50% efficiency @ 0.12 gal/min (0.45 L/min) per ISO 16889.





Part Number	TF15025
OE Part Number	6437741 H/D
Transmission	ALLISON 540, FLAT (BRASS)
Specification	RWD/3SPD
Model Year	1967+
Configuration	21 Bolt Pan
Media Type	FELT
Flow Restriction	5.8 in Hg (19.6 kPa)
Micron Rating	117/140

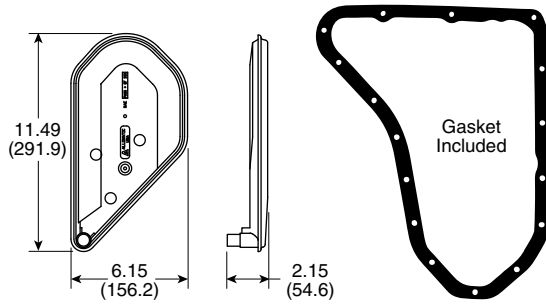
Part Number	TF15026
OE Part Number	6437741 H/D
Transmission	ALLISON 540, FLAT (BRASS) W/FAR PACK GASKET
Specification	RWD/3SPD
Model Year	1967+
Configuration	21 Bolt Pan
Media Type	FELT
Flow Restriction	5.8 in Hg (19.6 kPa)
Micron Rating	117/140

Part Number	TF15027
OE Part Number	F4TZ-7A098A
Transmission	FORD AODE
Specification	RWD/4SPD
Model Year	1992+
Configuration	14 Bolt Pan
Media Type	FELT
Flow Restriction	3.7 in Hg (12.5 kPa)
Micron Rating	60

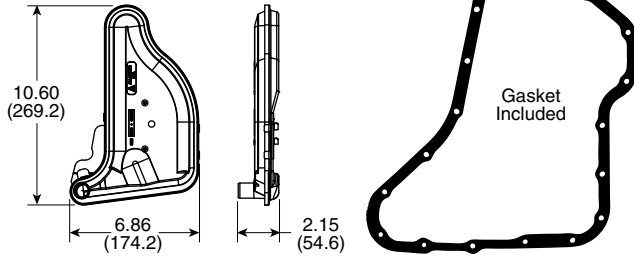
Note: All dimensions are in inches (millimeters).

FILTER EFFICIENCY

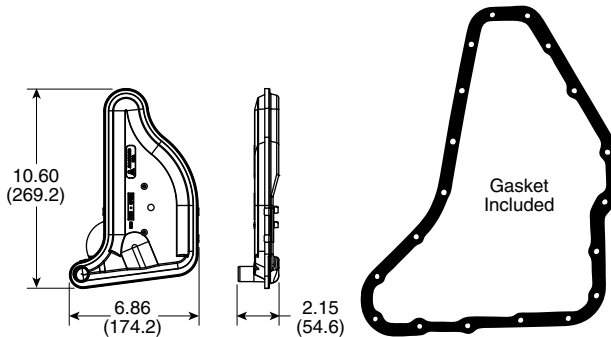
- Paper Media: 140 Microns @ 50% efficiency @ 0.12 gal/min (0.45 L/min) per ISO 16889.
- Wire Screen: Micron Rating is @ 98.7% efficiency.
- Polyester Media: 140 Microns @ 98.7% efficiency.
- Felt Media: Micron Rating is @ 50% efficiency @ 0.12 gal/min (0.45 L/min) per ISO 16889.



Part Number	TF15028
OE Part Number	8660100
Transmission	GM TH 125
Specification	FWD/3SPD
Model Year	1980+
Configuration	16 Bolt Pan
Media Type	FELT
Flow Restriction	5.4 in Hg (18.3 kPa)
Micron Rating	60



Part Number	TF15029
OE Part Number	8851909
Transmission	GM 4T60E, TH440-T4E
Specification	FWD/4SPD
Model Year	1991+
Configuration	20 Bolt Pan
Media Type	FELT
Flow Restriction	5.6 in Hg (19.0 kPa)
Micron Rating	60



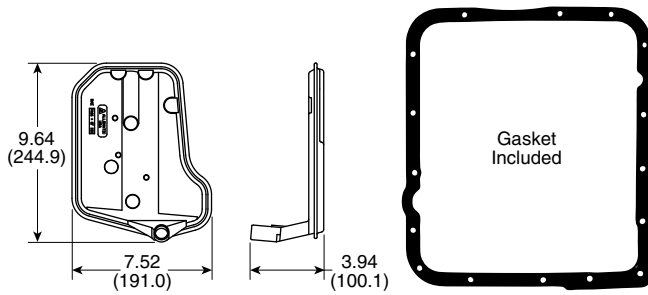
Part Number	TF15030
OE Part Number	8682471
Transmission	GM 4T60
Specification	FWD/4SPD
Model Year	1993+
Configuration	19 Bolt Pan
Media Type	FELT
Flow Restriction	5.6 in Hg (19.0 kPa)
Micron Rating	60

Note: All dimensions are in inches (millimeters).

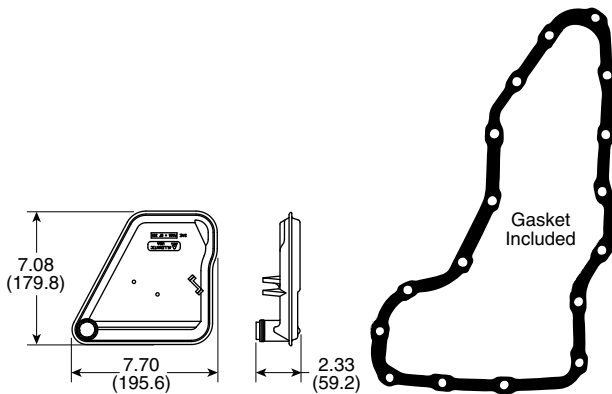
FILTER EFFICIENCY

- Paper Media: 140 Microns @ 50% efficiency @ 0.12 gal/min (0.45 L/min) per ISO 16889.
- Wire Screen: Micron Rating is @ 98.7% efficiency.
- Polyester Media: 140 Microns @ 98.7% efficiency.
- Felt Media: Micron Rating is @ 50% efficiency @ 0.12 gal/min (0.45 L/min) per ISO 16889.

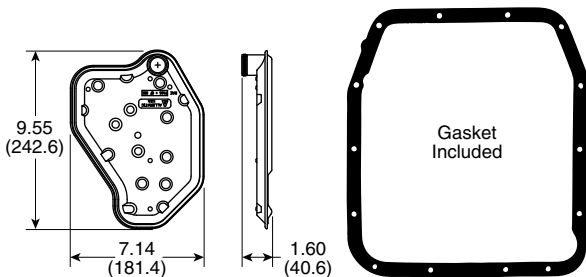




Part Number	TF15031
OE Part Number	8681082
Transmission	GM 4L60E TH-700 R4 ELECT.
Specification	RWD/4SPD
Model Year	1993-1997
Configuration	16 Bolt Pan
	FELT
Flow Restriction	4.1 in Hg (13.9 kPa)
Micron Rating	60



Part Number	TF15032
OE Part Number	F4DZ-7A098A
Transmission	FORD AXODE
Specification	FWD/4SPD
Model Year	1991+
Configuration	17 Bolt Pan
Media Type	FELT
Flow Restriction	3.0 in Hg (10.2 kPa)
Micron Rating	60

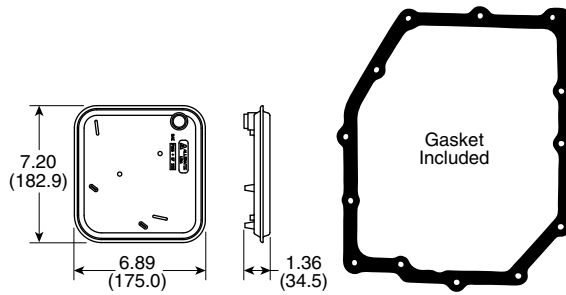


Part Number	TF15033
OE Part Number	F2VY-7A098A
Transmission	FORD AODE 2WD
Specification	RWD/4SPD
Model Year	1992+
Configuration	14 Bolt Pan
Media Type	FELT
Flow Restriction	3.7 in Hg (12.5 kPa)
Micron Rating	60

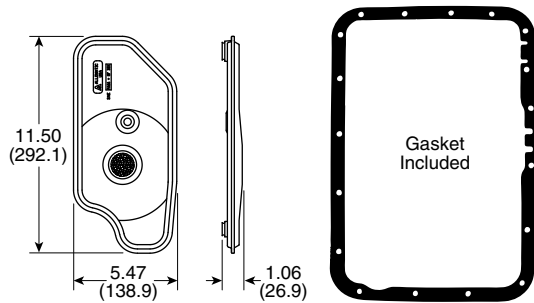
Note: All dimensions are in inches (millimeters).

FILTER EFFICIENCY

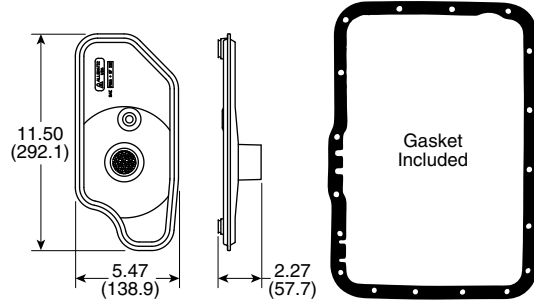
- Paper Media: 140 Microns @ 50% efficiency @ 0.12 gal/min (0.45 L/min) per ISO 16889.
- Wire Screen: Micron Rating is @ 98.7% efficiency.
- Polyester Media: 140 Microns @ 98.7% efficiency.
- Felt Media: Micron Rating is @ 50% efficiency @ 0.12 gal/min (0.45 L/min) per ISO 16889.



Part Number	TF15034
OE Part Number	4567070
Transmission	CHRYSLER A-606
Specification	FWD/4SPD
Model Year	1992+
Configuration	13 Bolt Pan
Media Type	FELT
Flow Restriction	3.4 in Hg (11.5 kPa)
Micron Rating	60



Part Number	TF15035
OE Part Number	F5TZ-7A098A
Transmission	FORD A4LD-E 2WD
Specification	RWD/4SPD
Model Year	1995+
Configuration	18 Bolt Pan
Media Type	FELT
Flow Restriction	4.6 in Hg (15.6 kPa)
Micron Rating	60



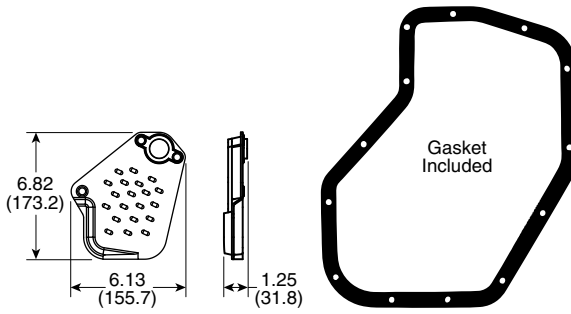
Part Number	TF15036
OE Part Number	F5TZ-7A098B
Transmission	FORD A4LD-E 4WD
Specification	FWD/4SPD
Model Year	1995+
Configuration	18 Bolt Pan
Media Type	FELT
Flow Restriction	4.6 in Hg (15.6 kPa)
Micron Rating	60

Note: All dimensions are in inches (millimeters).

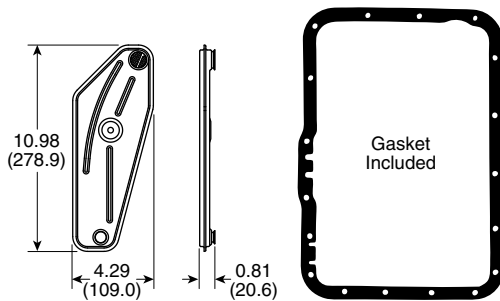
FILTER EFFICIENCY

- Paper Media: 140 Microns @ 50% efficiency @ 0.12 gal/min (0.45 L/min) per ISO 16889.
- Wire Screen: Micron Rating is @ 98.7% efficiency.
- Polyester Media: 140 Microns @ 98.7% efficiency.
- Felt Media: Micron Rating is @ 50% efficiency @ 0.12 gal/min (0.45 L/min) per ISO 16889.

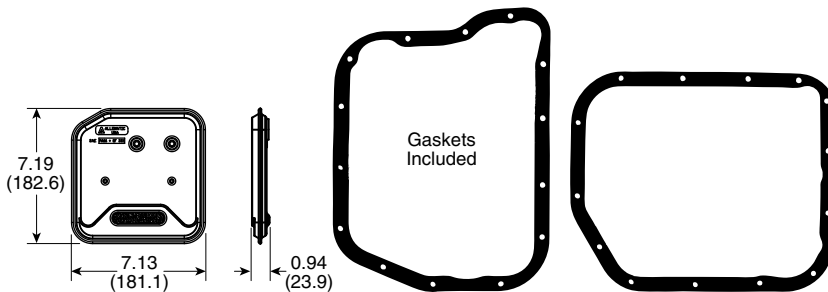




Part Number	TF15037
OE Part Number	E1FZ-7A098A
Transmission	FORD ATX
Specification	FWD/3SPD
Model Year	1981+
Configuration	13 Bolt Pan
Media Type	FELT
Flow Restriction	3.4 in Hg (11.5 kPa)
Micron Rating	130



Part Number	TF15038
OE Part Number	E6TZ-7A098B
Transmission	FORD A4LD 2WD
Specification	RWD/4SPD
Model Year	1985-1988
Configuration	18 Bolt Pan
Media Type	BRASS
Flow Restriction	N/A (Screen Filter)
Micron Rating	180/205

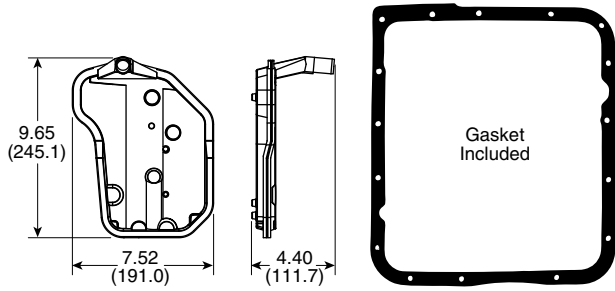


Part Number	TF15039
OE Part Number	52118789
Transmission	CHRYSLER 42, 44, 46, 47RE (606)
Specification	RWD/4SPD
Model Year	1997+
Configuration	14 Bolt Pan
Media Type	FELT
Flow Restriction	3.4 in Hg (11.5 kPa)
Micron Rating	60

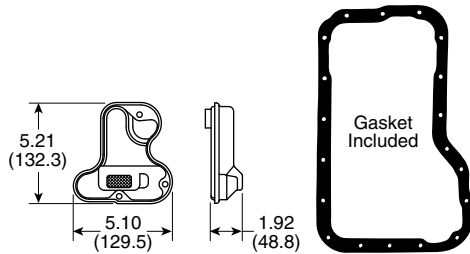
Note: All dimensions are in inches (millimeters).

FILTER EFFICIENCY

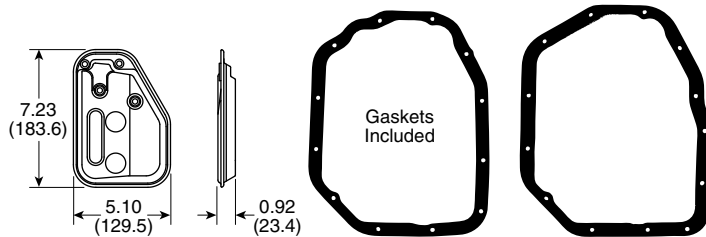
- Paper Media: 140 Microns @ 50% efficiency @ 0.12 gal/min (0.45 L/min) per ISO 16889.
- Wire Screen: Micron Rating is @ 98.7% efficiency.
- Polyester Media: 140 Microns @ 98.7% efficiency.
- Felt Media: Micron Rating is @ 50% efficiency @ 0.12 gal/min (0.45 L/min) per ISO 16889.



Part Number	TF15040
OE Part Number	24208813
Transmission	GM 4L60E DEEP PAN SERIAL FILTRATION
Specification	RWD/4SPD
Model Year	1997+
Configuration	16 Bolt Pan
Media Type	FELT
Flow Restriction	4.2 in Hg (14.2 kPa)
Micron Rating	60



Part Number	TF15041
OE Part Number	OE#: F1CZ-7A098A
Transmission	FORD ESCORT TRACER 4EATF 90-ON MAZDA F4AEL 90-ON
Specification	FWD/4SPD
Model Year	1990+
Configuration	19 Bolt Pan
Media Type	STAINLESS
Flow Restriction	N/A (Screen Filter)
Micron Rating	190



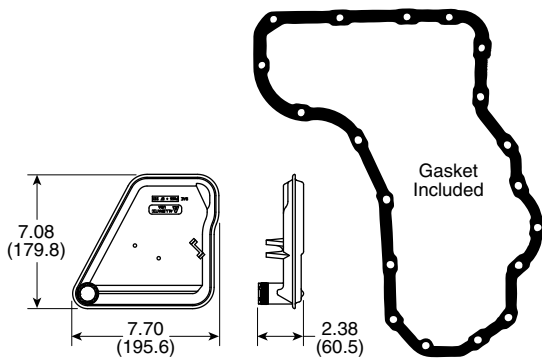
Part Number	TF15042
OE Part Number	MD-6731100
Transmission	MITSUBISHI F4A2,F3A2
Specification	RWD/3/4SPD
Model Year	1988+
Configuration	12,13 Bolt Pan
Media Type	FELT
Flow Restriction	4.1 in Hg (13.9 kPa)
Micron Rating	60

Note: All dimensions are in inches (millimeters).

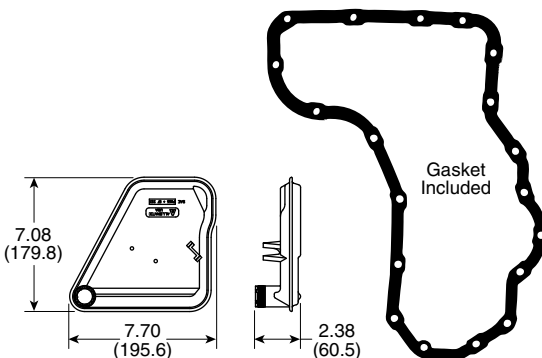
FILTER EFFICIENCY

- Paper Media: 140 Microns @ 50% efficiency @ 0.12 gal/min (0.45 L/min) per ISO 16889.
- Wire Screen: Micron Rating is @ 98.7% efficiency.
- Polyester Media: 140 Microns @ 98.7% efficiency.
- Felt Media: Micron Rating is @ 50% efficiency @ 0.12 gal/min (0.45 L/min) per ISO 16889.

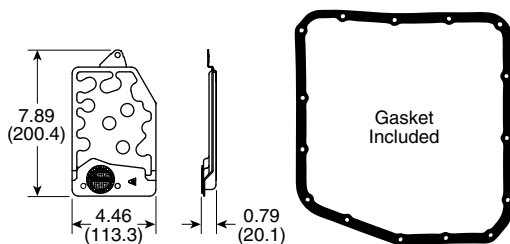




Part Number	TF15043
OE Part Number	F5DZ-7A098A
Transmission	FORD AXODE, AX4N, AX4S, SHO CARS
Specification	FWD/4SPD
Model Year	1994+
Configuration	19 Bolt Pan
Media Type	FELT
Flow Restriction	3.0 in Hg (10.2 kPa)
Micron Rating	60



Part Number	TF15044
OE Part Number	F6DZ-7A098A
Transmission	FORD AX4N, ZX4S, AXODE, GREEN SEAL
Specification	FWD/4SPD
Model Year	1996+
Configuration	19 Bolt Pan
Media Type	FELT
Flow Restriction	3.0 in Hg (10.2 kPa)
Micron Rating	60

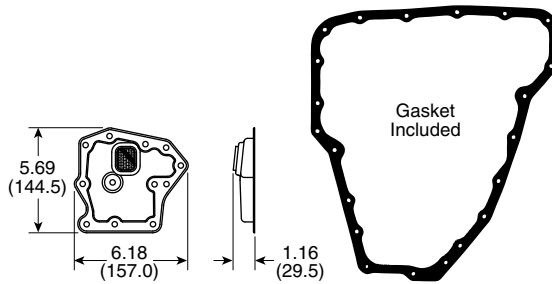


Part Number	TF15045
OE Part Number	35330-32022
Transmission	TOYOTA CAMRY LATE W/NUTCH
Specification	FWD/4SPD
Model Year	1989+
Configuration	15 Bolt Pan
Media Type	STAINLESS
Flow Restriction	N/A (Screen Filter)
Micron Rating	75

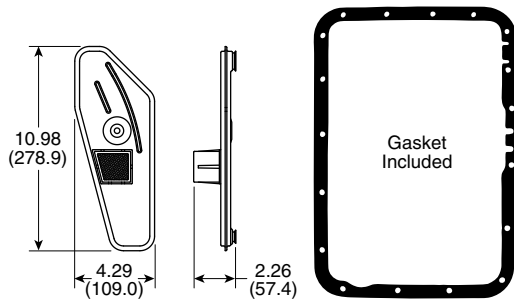
Note: All dimensions are in inches (millimeters).

FILTER EFFICIENCY

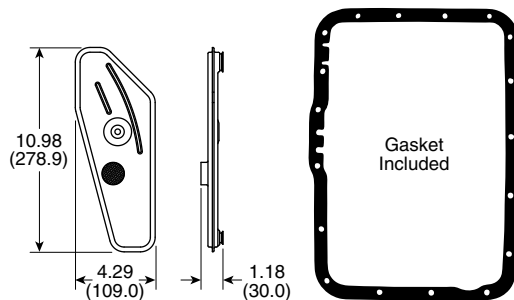
- Paper Media: 140 Microns @ 50% efficiency @ 0.12 gal/min (0.45 L/min) per ISO 16889.
- Wire Screen: Micron Rating is @ 98.7% efficiency.
- Polyester Media: 140 Microns @ 98.7% efficiency.
- Felt Media: Micron Rating is @ 50% efficiency @ 0.12 gal/min (0.45 L/min) per ISO 16889.



Part Number	TF15046
OE Part Number	31728-80X03
Transmission	NISSAN RE4F04A/ V (QUEST, ULTIMA) MAXIMA, MERCURY VILLAGER 93-ON
Specification	FWD/4SPD
Model Year	1993+
Configuration	21 Bolt Pan
Media Type	STAINLESS
Flow Restriction	N/A (Screen Filter)
Micron Rating	190



Part Number	TF15047
OE Part Number	OE#: E6TZ-7A098A
Transmission	FORD A4LD
Specification	FWD/4SPD
Model Year	1993+
Configuration	18 Bolt Pan
Media Type	BRASS
Flow Restriction	N/A (Screen Filter)
Micron Rating	180/205



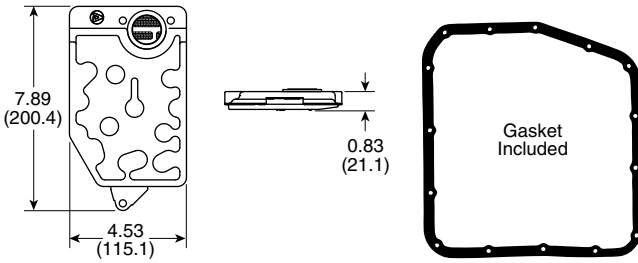
Part Number	TF15048
OE Part Number	87GT-7A098AA
Transmission	FORD A4LD 2WD
Specification	RWD/4SPD
Model Year	1989+
Configuration	18 Bolt Pan
Media Type	BRASS
Flow Restriction	N/A (Screen Filter)
Micron Rating	180/205

Note: All dimensions are in inches (millimeters).

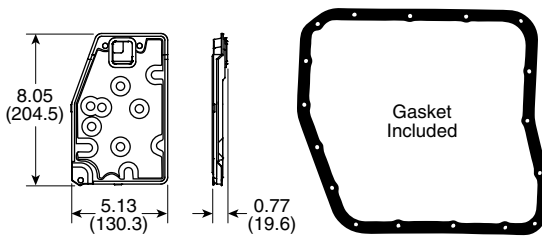
FILTER EFFICIENCY

- Paper Media: 140 Microns @ 50% efficiency @ 0.12 gal/min (0.45 L/min) per ISO 16889.
- Wire Screen: Micron Rating is @ 98.7% efficiency.
- Polyester Media: 140 Microns @ 98.7% efficiency.
- Felt Media: Micron Rating is @ 50% efficiency @ 0.12 gal/min (0.45 L/min) per ISO 16889.

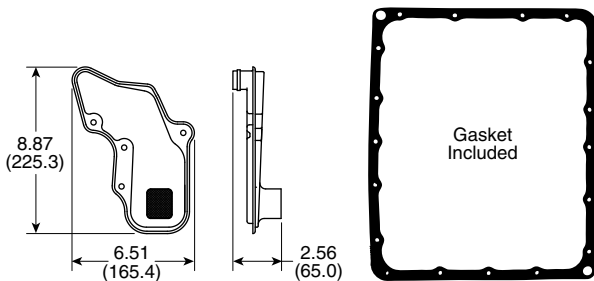




Part Number	TF15049
OE Part Number	94844024
Transmission	TOYOTA A130/A140 CAMRY
Specification	FWD/3/4SPD
Model Year	1983-1988
Configuration	15 Bolt Pan
Media Type	STAINLESS
Flow Restriction	N/A (Screen Filter)
Micron Rating	75



Part Number	TF15050
OE Part Number	35330-32030
Transmission	TOYOTA A540 CAMRY, LEXUS 250
Specification	FWD/4SPD
Model Year	1988+
Configuration	17 Bolt Pan
Media Type	STAINLESS
Flow Restriction	N/A (Screen Filter)
Micron Rating	75

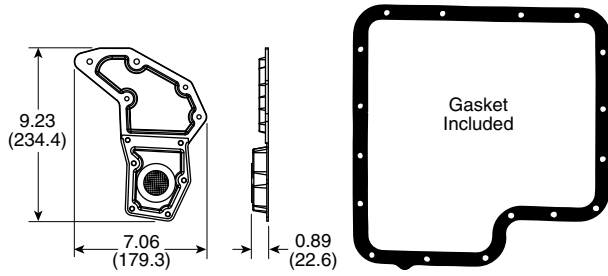


Part Number	TF15051
OE Part Number	31728-41X01
Transmission	NISSAN RE4R01A 4WD 1987-ON MAZDA MPV WAGON 89-ON
Specification	RWD/4SPD
Model Year	1987+
Configuration	18 Bolt Pan
Media Type	BRASS
Flow Restriction	N/A (Screen Filter)
Micron Rating	180/205

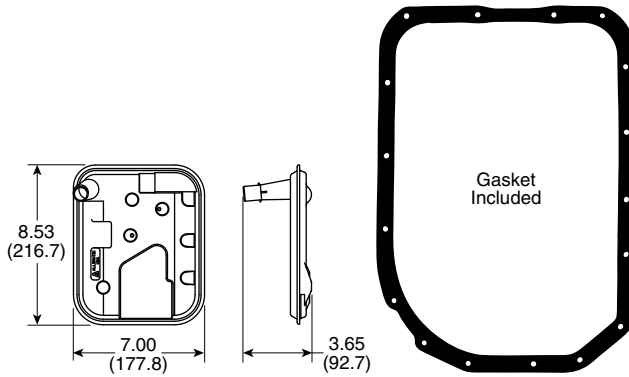
Note: All dimensions are in inches (millimeters).

FILTER EFFICIENCY

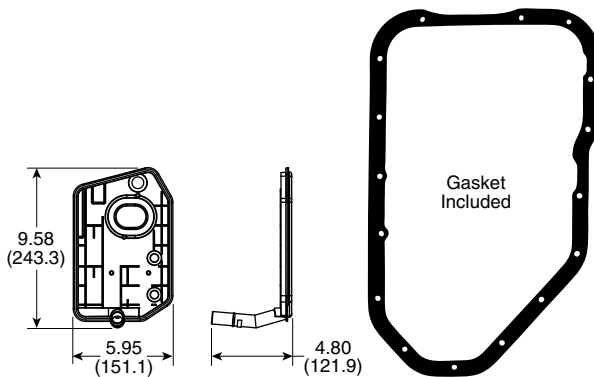
- Paper Media: 140 Microns @ 50% efficiency @ 0.12 gal/min (0.45 L/min) per ISO 16889.
- Wire Screen: Micron Rating is @ 98.7% efficiency.
- Polyester Media: 140 Microns @ 98.7% efficiency.
- Felt Media: Micron Rating is @ 50% efficiency @ 0.12 gal/min (0.45 L/min) per ISO 16889.



Part Number	TF15052
OE Part Number	D3TZ-7A098A
Transmission	FORD C-6 BRONCO
Specification	RWD/3SPD
Model Year	1973+
Configuration	17 Bolt Pan
Media Type	STAINLESS
Flow Restriction	N/A (Screen Filter)
Micron Rating	190



Part Number	TF15053
OE Part Number	24208847
Transmission	GM 4L80E TH MR2 TRUCKS
Specification	RWD/4SPD
Model Year	1977+
Configuration	17 Bolt Pan
Media Type	FELT
Flow Restriction	3.6 in Hg (12.2 kPa)
Micron Rating	60



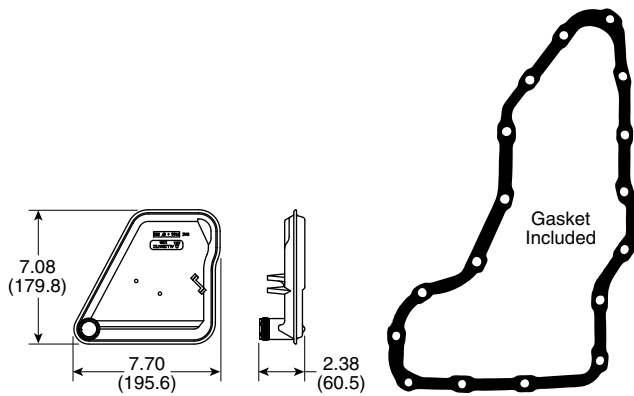
Part Number	TF15054
OE Part Number	8634223
Transmission	GM TH-200-4R WITH ORANGE LIP SEAL
Specification	RWD/4SPD
Model Year	1981-1990
Configuration	16 Bolt Pan
Media Type	FELT
Flow Restriction	5.2 in Hg (17.6 kPa)
Micron Rating	60

Note: All dimensions are in inches (millimeters).

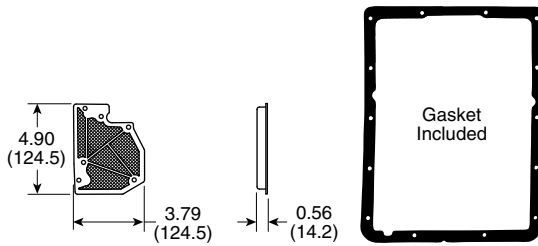
FILTER EFFICIENCY

- Paper Media: 140 Microns @ 50% efficiency @ 0.12 gal/min (0.45 L/min) per ISO 16889.
- Wire Screen: Micron Rating is @ 98.7% efficiency.
- Polyester Media: 140 Microns @ 98.7% efficiency.
- Felt Media: Micron Rating is @ 50% efficiency @ 0.12 gal/min (0.45 L/min) per ISO 16889.

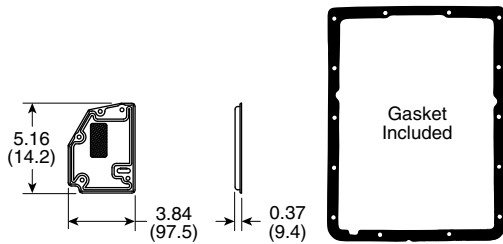




Part Number	TF15055
OE Part Number	F5DZ-7A098A
Transmission	FORD AX4S (SHO CARS)
Specification	FWD/4SPD
Model Year	1993-1995
Configuration	17 Bolt Pan
Media Type	FELT
Flow Restriction	3.0 in Hg (10.2 kPa)
Micron Rating	60



Part Number	TF15056
OE Part Number	35303-14010
Transmission	TOYOTA A42DL, A45DL RWD 4SPD 82-ON
Specification	RWD/4SPD
Model Year	1982+
Configuration	14 Bolt Pan
Media Type	STAINLESS
Flow Restriction	N/A (Screen Filter)
Micron Rating	75

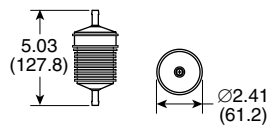
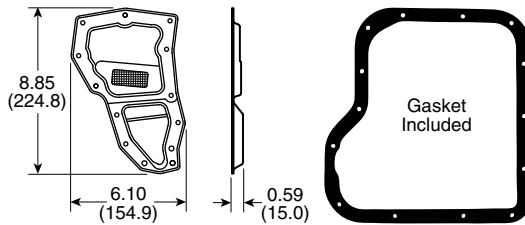
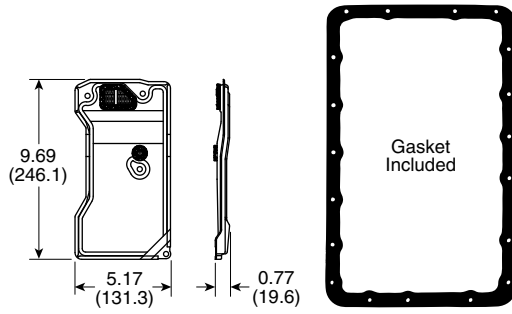


Part Number	TF15057
OE Part Number	35303-30050
Transmission	TOYOTA A42D, A43D AW 70/71 4SPD
Specification	RWD/4SPD
Model Year	1970-1971
Configuration	14 Bolt Pan
Media Type	STAINLESS
Flow Restriction	N/A (Screen Filter)
Micron Rating	75

Note: All dimensions are in inches (millimeters).

FILTER EFFICIENCY

- Paper Media: 140 Microns @ 50% efficiency @ 0.12 gal/min (0.45 L/min) per ISO 16889.
- Wire Screen: Micron Rating is @ 98.7% efficiency.
- Polyester Media: 140 Microns @ 98.7% efficiency.
- Felt Media: Micron Rating is @ 50% efficiency @ 0.12 gal/min (0.45 L/min) per ISO 16889.



Part Number	TF15058
OE Part Number	89835-04032
Transmission	JEEP EAGLE 87-ON (A 340E)
Specification	RWD/4SPD
Model Year	1987+
Configuration	19 Bolt Pan
Media Type	STAINLESS
Flow Restriction	N/A (Screen Filter)
Micron Rating	75

Part Number	TF15059
OE Part Number	31728-X8600
Transmission	MAZDA/NISSAN 4N71B 4SPD 83-ON
Specification	RWD/4SPD
Model Year	1983+
Configuration	14 Bolt Pan
Media Type	STAINLESS
Flow Restriction	N/A (Screen Filter)
Micron Rating	75

Part Number	TF15060
OE Part Number	-
Transmission	MAGNEFINE 3/8" MAGNETIC IN LINE
Specification	RWD/ FWD/2SPD/4SPD
Model Year	All
Configuration	NO GASKET
Media Type	FELT
Flow Restriction	13.5 in Hg (45.7 kPa)**
Micron Rating	25

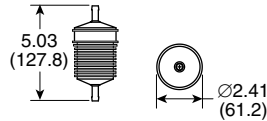
** Magnefine In-Line Filters tested at Flow Rate of 2.2 gal/min (8.3 L/min).

Note: All dimensions are in inches (millimeters).

FILTER EFFICIENCY

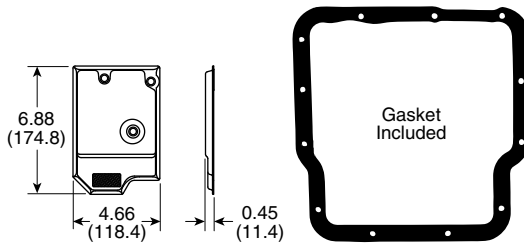
- Paper Media: 140 Microns @ 50% efficiency @ 0.12 gal/min (0.45 L/min) per ISO 16889.
- Wire Screen: Micron Rating is @ 98.7% efficiency.
- Polyester Media: 140 Microns @ 98.7% efficiency.
- Felt Media: Micron Rating is @ 50% efficiency @ 0.12 gal/min (0.45 L/min) per ISO 16889.



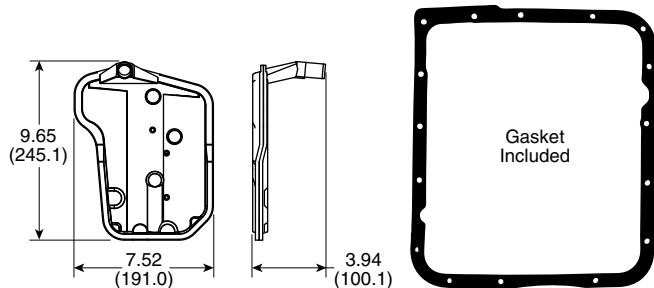


Part Number	TF15061
OE Part Number	–
Transmission	MAGNEFINE 5/16" MAGNETIC IN LINE
Specification	RWD/ FWD/2SPD/4SPD
Model Year	All
Configuration	NO GASKET
Media Type	FELT
Flow Restriction	17.6 in Hg (59.6 kPa)**
Micron Rating	25

** Magnefine In-Line Filters tested at Flow Rate of 2.2 gal/min (8.3 L/min).



Part Number	TF15062
OE Part Number	747451
Transmission	GM TH-180 (3L30) RWD 3SPD 69-ON
Specification	RWD/3SPD
Model Year	1969+
Configuration	12 Bolt Pan
Media Type	FELT
Flow Restriction	4.9 in Hg (16.6 kPa)
Micron Rating	117/140

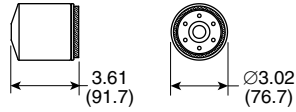


Part Number	TF15063
OE Part Number	24208835
Transmission	GM 4L60E SERIAL FILTRATION (GRAY)
Specification	RWD/4SPD
Model Year	1997+
Configuration	16 Bolt Pan
Media Type	FELT
Flow Restriction	4.2 in Hg (14.2 kPa)
Micron Rating	60

Note: All dimensions are in inches (millimeters).

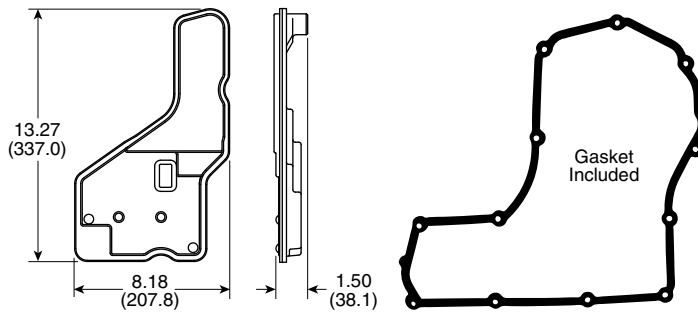
FILTER EFFICIENCY

- Paper Media: 140 Microns @ 50% efficiency @ 0.12 gal/min (0.45 L/min) per ISO 16889.
- Wire Screen: Micron Rating is @ 98.7% efficiency.
- Polyester Media: 140 Microns @ 98.7% efficiency.
- Felt Media: Micron Rating is @ 50% efficiency @ 0.12 gal/min (0.45 L/min) per ISO 16889.

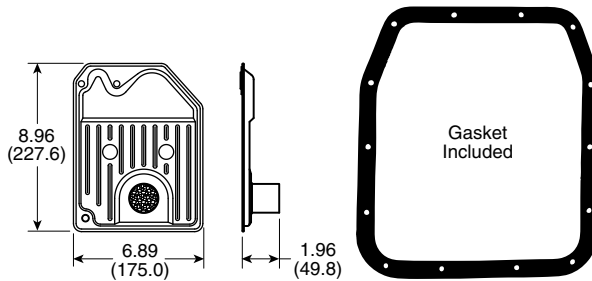


Part Number	TF15064
OE Part Number	21002303
Transmission	SATURN SPIN ON
Specification	FWD/4SPD
Model Year	1991+
Configuration	N/A
Media Type	FELT
Flow Restriction	7.4 in Hg (25.1 kPa)*
Micron Rating	30

* Spin-On filter.



Part Number	TF15065
OE Part Number	86985185
Transmission	GM 4T40E
Specification	RWD/4SPD
Model Year	1995+
Configuration	12 Bolt Pan
Media Type	FELT
Flow Restriction	3.3 in Hg (11.2 kPa)
Micron Rating	60



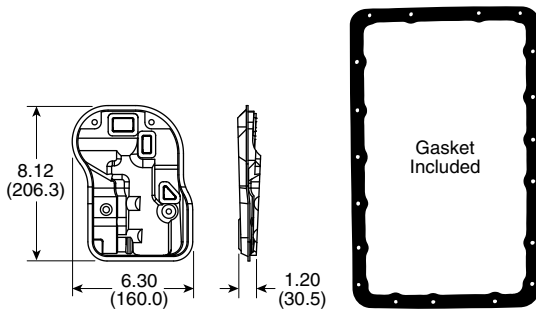
Part Number	TF15066
OE Part Number	E5TZ-7A098C
Transmission	FORD AOD4*4
Specification	RWD/4SPD
Model Year	1989+
Configuration	14 Bolt Pan
Media Type	FELT
Flow Restriction	5.9 in Hg (20.0 kPa)
Micron Rating	60

Note: All dimensions are in inches (millimeters).

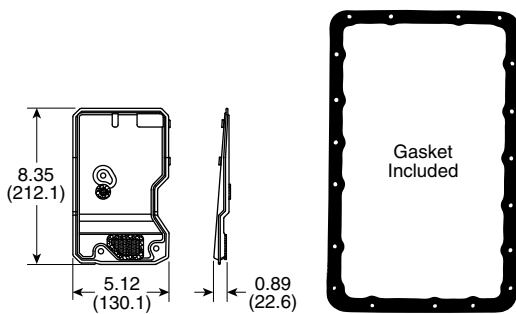
FILTER EFFICIENCY

- Paper Media: 140 Microns @ 50% efficiency @ 0.12 gal/min (0.45 L/min) per ISO 16889.
- Wire Screen: Micron Rating is @ 98.7% efficiency.
- Polyester Media: 140 Microns @ 98.7% efficiency.
- Felt Media: Micron Rating is @ 50% efficiency @ 0.12 gal/min (0.45 L/min) per ISO 16889.

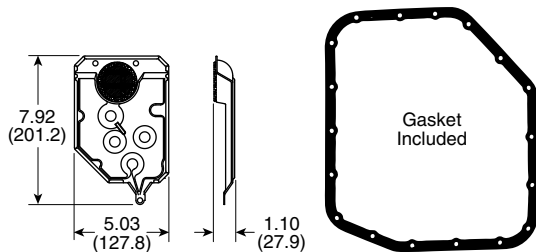




Part Number	TF15067
OE Part Number	35330-50010
Transmission	Transmission:TOYOTA A341E LEXUS LS/SC400 V8 90-ON
Specification	RWD/4SPD
Model Year	1990+
Configuration	19 Bolt Pan
Media Type	STAINLESS
Flow Restriction	N/A (Screen Filter)
Micron Rating	75



Part Number	TF15068
OE Part Number	35330-30010
Transmission	TOYOTA A340E (4*2) LEX LS400 88-ON
Specification	RWD/4SPD
Model Year	1988+
Configuration	19 Bolt Pan
Media Type	STAINLESS
Flow Restriction	N/A (Screen Filter)
Micron Rating	75

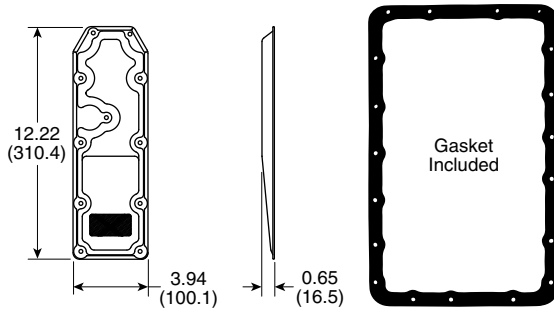


Part Number	TF15069
OE Part Number	35330-12010
Transmission	TOYOTA A240 E&L FWD 4SPD 84-ON
Specification	FWD/4SPD
Model Year	1984+
Configuration	18 Bolt Pan
Media Type	STAINLESS
Flow Restriction	N/A (Screen Filter)
Micron Rating	75

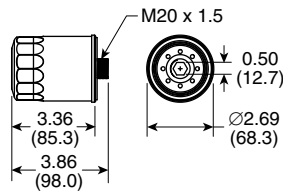
Note: All dimensions are in inches (millimeters).

FILTER EFFICIENCY

- Paper Media: 140 Microns @ 50% efficiency @ 0.12 gal/min (0.45 L/min) per ISO 16889.
- Wire Screen: Micron Rating is @ 98.7% efficiency.
- Polyester Media: 140 Microns @ 98.7% efficiency.
- Felt Media: Micron Rating is @ 50% efficiency @ 0.12 gal/min (0.45 L/min) per ISO 16889.

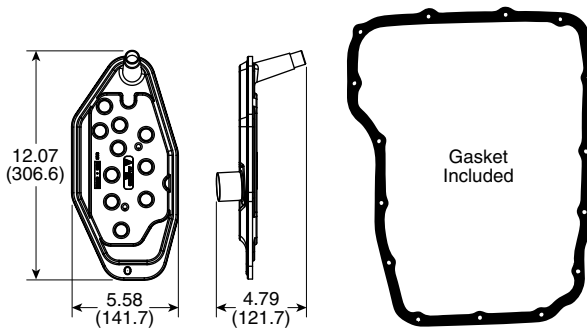


Part Number	TF15070
OE Part Number	35303-35010
Transmission	TOYOTA A340H (4*4) 85-ON EXC. JEEP
Specification	RWD/4SPD
Model Year	1985+
Configuration	19 Bolt Pan
Media Type	STAINLESS
Flow Restriction	N/A (Screen Filter)
Micron Rating	75



Part Number	TF15071
OE Part Number	4799662
Transmission	CHRYSLER 45RFE SPIN ON
Specification	RWD/2SPD/4SPD
Model Year	1999+
Configuration	NO GASKET
Media Type	FELT
Flow Restriction	9.2 in Hg (31.2 kPa)*
Micron Rating	40

* Spin-On filter.



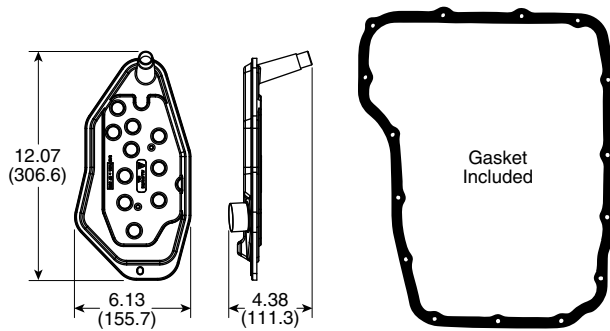
Part Number	TF15072
OE Part Number	5013470AB
Transmission	CHRYSLER 45RFE
Specification	4WD/4SPD/5SPD
Model Year	1999+
Configuration	15 Bolt Pan
Media Type	FELT
Flow Restriction	1.9 in Hg (6.4 kPa)
Micron Rating	60

Note: All dimensions are in inches (millimeters).

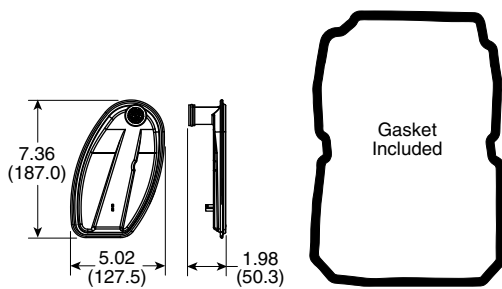
FILTER EFFICIENCY

- Paper Media: 140 Microns @ 50% efficiency @ 0.12 gal/min (0.45 L/min) per ISO 16889.
- Wire Screen: Micron Rating is @ 98.7% efficiency.
- Polyester Media: 140 Microns @ 98.7% efficiency.
- Felt Media: Micron Rating is @ 50% efficiency @ 0.12 gal/min (0.45 L/min) per ISO 16889.

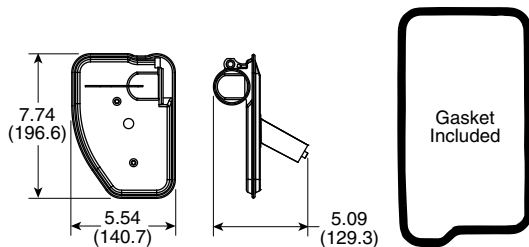




Part Number	TF15073
OE Part Number	4800029AA
Transmission	CHRYSLER 45RFE
Specification	2WD/4/5/SPD
Model Year	1999+
Configuration	15 Bolt Pan
Media Type	FELT
Flow Restriction	2.2 in Hg (7.5 kPa)
Micron Rating	60



Part Number	TF15074
OE Part Number	140-277-0095
Transmission	W5A560
Specification	5 SPEED
Model Year	1996+
Configuration	6 Bolt Pan
Media Type	Felt
Flow Restriction	4.5 in Hg (15.2 kPa)
Micron Rating	60



Part Number	TF15075
OE Part Number	0501-315-183
Transmission	ZF4HP20
Specification	4 SPEED
Model Year	1998+
Configuration	No Pan
Media Type	Felt
Flow Restriction	4.4 in Hg (14.9 kPa)
Micron Rating	60

Note: All dimensions are in inches (millimeters).

FILTER EFFICIENCY

- Paper Media: 140 Microns @ 50% efficiency @ 0.12 gal/min (0.45 L/min) per ISO 16889.
- Wire Screen: Micron Rating is @ 98.7% efficiency.
- Polyester Media: 140 Microns @ 98.7% efficiency.
- Felt Media: Micron Rating is @ 50% efficiency @ 0.12 gal/min (0.45 L/min) per ISO 16889.